

The HiLo COMFORTLINE II bathtub is delivered to you fully assembled, ready to be connected to the water and power supply at the customer's premises and should be installed according to local guidelines and regulations.

**Assembly Process:**

**DO NOT DRAG NOR PUSH THE BATHTUB ACROSS THE FLOOR AS THIS COULD CAUSE DAMAGE TO THE LEGS or ACTUATORS.**

When lifted, do so briefly and be at least two persons.

1. Once the bathtub is in its final position, lift briefly at each end again to release any tensions that might have been created between the feet during installation.
2. The adjustable feet are used to level/adjust the bathtub. Please bear in mind that the head end of the bathtub has to be approx. 2-3/4" higher than the foot end to allow the water to drain more easily.
3. Please flush the premises pipework before connecting the Comfortline to protect the bathtub fittings from dirt.
4. A CERTIFIED ELECTRICIAN SHALL CONNECT THE MAINS CORD TO A WALL-MOUNTED OUTLET (SPLASHPROOF) in accordance with local regulations.
5. Use the flexible drain hose to establish a connection between the drain siphon (at the bottom of the tub) and the floor gully. This connection is best attached when the bathtub is raised into its highest position.
6. Carry out functional test.
  - Test the Up/Down function by pushing each button on the hand control. INITIALISATION must be carried out if the tub does not raise evenly (see separate instruction in the manual).
  - Check that the thermostat is working properly and test the water temperature! If the set temperature is not the same as the actual water temperature, it needs to be adjusted according to manufacturer's instructions! (see separate thermostat mixer operating manual)
  - Check that the bath tap and the shower work properly.
  - Check the cold/hot water connections and make sure the drain hose is intact.
  - Make sure the mains cord is attached correctly and that it is not damaged.

**The bathtub may only be used after it has been successfully and correctly installed.**

**On-Site Preparations:**

1. 1/2" hot and cold water connection, stopcock with a 3/4" external thread for connecting nut (on-site pre-shutoff device) incoming water pressure 1-5 bar.
2. Mains connection 230V / 50Hz, 10A. or 110V / 60 Hz depending on model.  
**NOTE:** All electrical conduit, fitting and wire to bath supplied and installed by a certified electrician in accordance with local or applicable electric code as a minimum requirement. Main switch with signal lamp, main fuse and earth circuit breaker are not included and must be supplied by others.

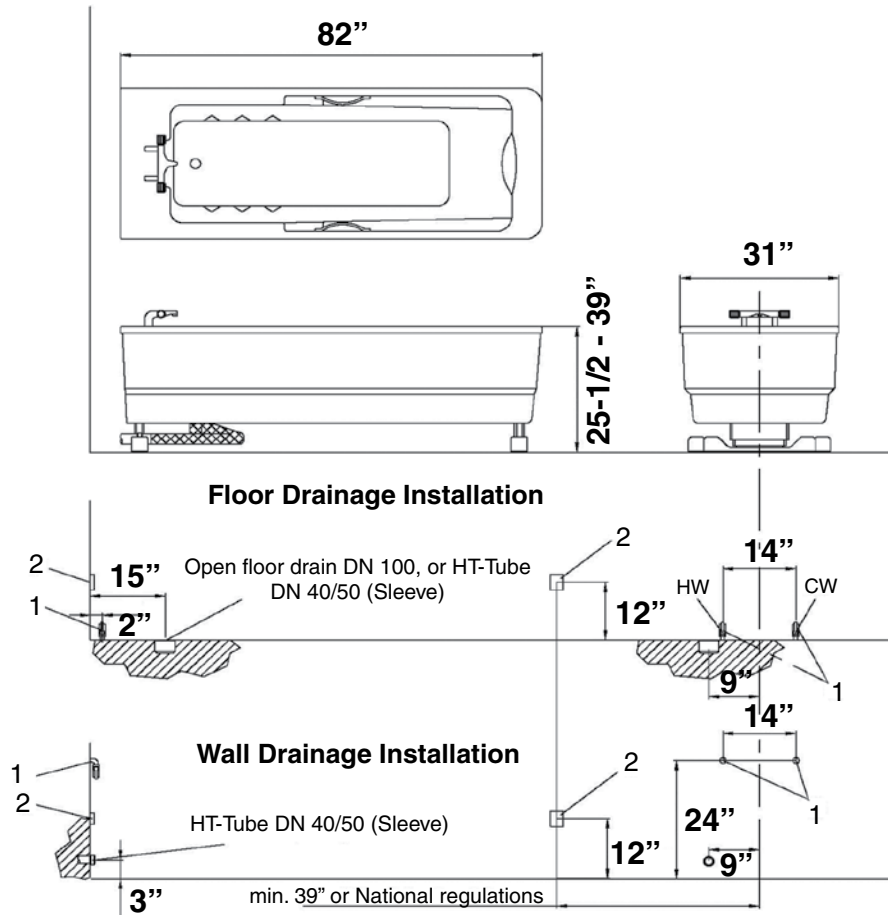
**Installation of Thermostatic Mixer**

1. Rinse pipes according to DIN 1988.
2. Attach connections to the water supply.
3. The hot water supply has to be on the left side and the cold water supply on the right side. Check the connections for any leaks and make sure the fittings are working properly.

**Installation drawing for HiLo bathtub COMFORTLINE II**

Floor drainage - Open floor drain Or HI pipe DN40/50 (pipe coupling)

Wall drainage - HI pipe DN40/50 (pipe coupling)



## INITIALISATION

An initialisation should be carried out the very first time the bathtub is started-up and after every power failure.

### Should be performed after/when:

- First time start-up
- Power failure (power cut, disconnection from supply or shutdown)

### Reason:

The initialisation function (continuous movement monitoring) is designed with the safety and protection of the equipment/user in mind. The control switches off automatically if one of the actuators is working faster than the other.

### PROCESS (Hand control with black buttons):

Please press both keys (UP and DOWN) on the hand control to "initialise" the control mechanism. The bathtub is lowered to its lowest position. An audible tone sounds at the end of the process and the system is ready to be used.

Please do not hesitate do contact us if you have any further queries.