



**EZ Way, Inc.**

*"Your Total Patient  
Lift Solution"*

## EZ 2000 / EZ 3000

### The Shower Trolley that Provides Greater Ease in Showering and Transferring Residents.

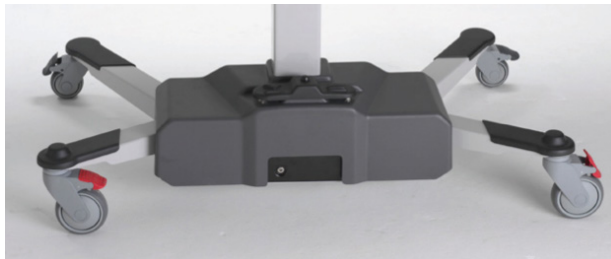


**EZ 2000** - Hydraulic (Foot Operated)  
**EZ 3000** - Battery Operated

The EZ 2000/3000 Shower trolley is unique with its side-mounted column, allowing the trolley stretcher to overlap the bed further for a safe and easy resident transfer. The trolley allows the attendant to have easy access to the trolley controls, including height adjustment, stretcher tilt, caster brakes and straight steering.

The protective side rails are lowered when the stretcher is located over the bed. Without any heavy lifting for the attendant, the resident is easily, gently and safely positioned on the trolley mattress. The trolley side rails are then secured before moving away from the bed.

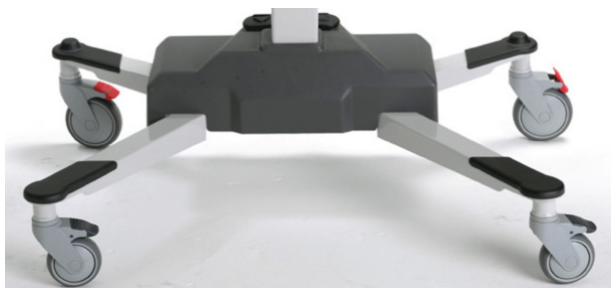
The side rail on the attendant side is hinged so that it will fold all the way down. This makes it easier for the attendant to handle the resident during transfer. The trolley stretcher has drains at both ends, allowing the resident to be positioned in either direction.



EZ 3000 - Back of Chassis



EZ 2000 - Back of Chassis



EZ 2000 and 3000 - High Chassis

#### **INCLUDED Accessories**

- 3 ft. drain hose
- Stopper
- Head pillow
- Mattress
- 4" standard casters

#### **OPTIONAL Accessories**

- Backrest wedge pillow - 15°
- Factory-mounted lift kit for EZ Lift transfers (allows a minimum of 5" free space under the front legs, which raises the trolley stretcher 2.25")
- 8 ft. drain hose

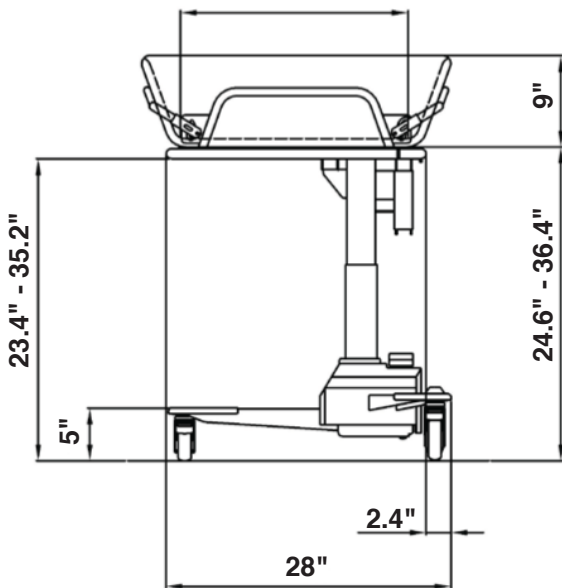
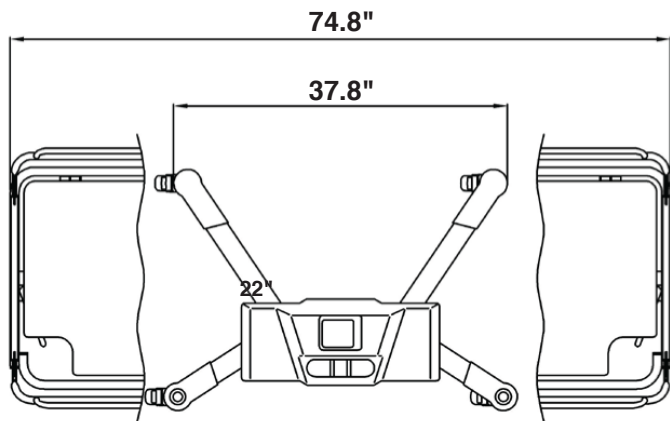
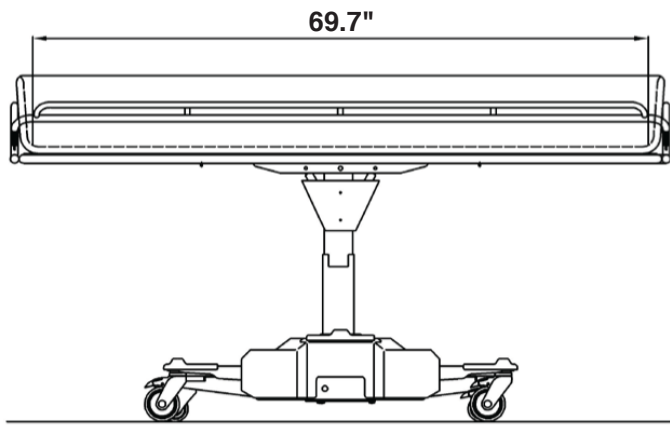
#### **HYDRAULIC**

**EZ 2000** - Standard L = 75"

#### **BATTERY OPERATED**

**EZ 3000** - Standard L = 75"

*"Your Total Patient Lift Solution"*



**OFFSET COLUMN** provides enhanced safety during lateral transfers.

## Features

The foot-operated height adjustable stretcher enables the attendant to find the most efficient and convenient working height and gives the attendant both hands free to tend the resident.

Thanks to the belt-driven high/low device on the EZ 3000, it operates quietly, smoothly and free from sudden movements. The height adjustment is driven by two high-capacity rechargeable batteries, and when charging is needed, an audible tone sounds.

The stretcher can easily be tilted to the "Trendelenburg" position (5°) in either direction with the tilt control handle located at both ends. The tilt position is controlled by gas springs so that the attendant has infinite tilt positions within the tilt range.

Easy to steer and easy to maneuver. The large casters with brakes, low angled legs with straight steering casters are features that make the trolley easy to steer and maneuver.

The low center of gravity of the chassis lends stability to the trolley.

The side rails can be pressed together when traveling through narrow doorways reducing the trolley width.

Durable material - Easy cleaning.

The chassis is made of powder-coated stainless and zinc-plated steel.

When cleaning the shower trolley, the attendant releases the durable stretcher mattress at the control side and folds the mattress over the side so that the hinged stretcher frame can be cleaned and the mattress drains and dries. The mattress will not "drag" on the floor when this is done.

<b>Length</b>	63" / 75" / 83"
<b>Width</b>	27.75"
<b>Operating Height Range</b>	24.5" - 36.5" 27" - 39"
<b>Working Load Limit</b>	330 lbs.
<b>Chassis</b>	Powder-coated and zinc-plated steel
<b>Castors</b>	Two castors with brakes and two with straight steering
<b>Control</b>	Foot control for height adjustment
<b>Mattress, Pillow</b>	Flame retardant material
<b>Battery</b>	Rechargeable, 24 V