



EZ Way, Inc.

*"Your Total Patient  
Lift Solution"*

# EZ 1000 Battery Operated Shower Chair

## Height Adjustment and Tilt Features for Easy and Efficient Transfers and Showering.

- Offers a dignified environment for both patient and caregiver.
- Height adjustable and can be tilted backward and forward for individual comfort.
- Easy-to-use hand control for height adjustment and tilting.
- Chair can be tilted to shower patient's hair and then adjusted to shower their feet.
- Shaped grip knob armrests provide additional comfort.
- Headrest offers support when reclining.
- Fits over most toilets for clean, easy toileting. Optional bed pan accessory can be inserted under chair seat.
- 440 lb. weight capacity.



### Grip Knobs

Armrests feature grip knobs for patient's comfort.



### Comfort & Ergonomic

The integrated leg rest is designed for patient's comfort and ergonomic working routines.



**Height Adjustment**



**Reclining Position**



### Removable Batteries

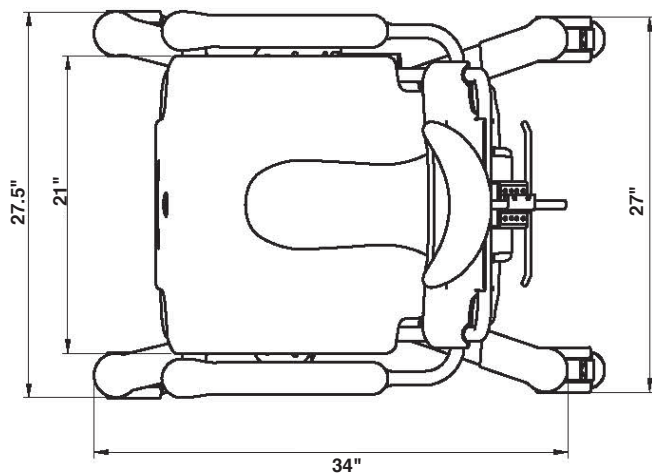
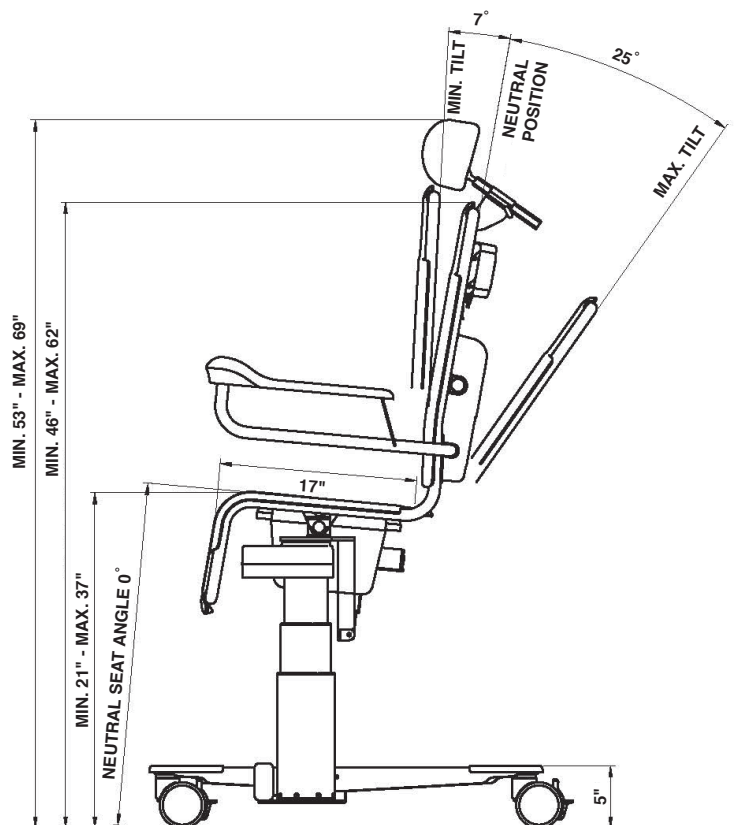
Removable battery packs are easy to change.



### Hand Control

Easy-to-use hand control for height and tilt adjustment.

*"Your Total Patient Lift Solution"*



**Features:**

- Easy to clean
- Suitable to use with most lifts and standing/raising aids to make transfers smooth and safe
- Extremely stable
- Hip belt provided for patient safety

**Optional:**



**Bed pan including lid**



**Adjustable and foldable footrest**

**Specifications:**

<b>Lifting Stroke Range/ Seat Height Range</b>	16"
<b>Working Load Limit</b>	440 lbs.
<b>Tilt Backwards (Recline)</b>	25"
<b>Tilt Forward</b>	7°
<b>Structure</b>	Powder coated, zinc plated steel, and stainless steel
<b>Casters</b>	Twin 4" castors with locking brakes
<b>Control</b>	Hand control for height adjustment and tilt
<b>Battery</b>	Removable and rechargeable 24 V