



# DIGNITY | Height Adjustable Reclining Shower Chair

EZ Way, Inc.

"Your Total Patient Lift Solution"

Available in Hydraulic or Electric

### EZ Way Dignity Classic features:

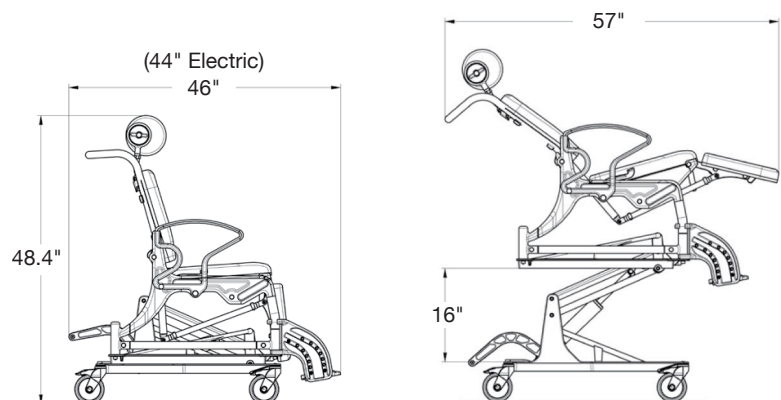
- Height adjustable, **Hydraulic** or **Electric**\*
- Adjustable PUR headrest for patient comfort
- Tilting adjustment
- Swinging armrests enable easy side transfer
- Soft PUR seat, back & leg support
- 5" hospital grade swivelling and locking casters for secure transfers
- Height adjustable & removable footrests
- Seat with hygiene opening
- Commode pan included
- Five-year warranty on frame
- 330 lb. weight capacity



	EZ352 <b>Hydraulic</b>	EZ351E <b>Electrical</b>
<b>Depth</b>	46 inch	44 inch
<b>Width</b>	27 inch	27 inch
<b>Seat Depth</b>	17 inch	17 inch
<b>Seat Height</b>	23 - 39 inch	23 - 39 inch
<b>Seat Width</b>	21 inch	21 inch
<b>Weight</b>	114 lb.	116 lb.

**EZ352** - Dignity Hydraulic Height Adjustable Reclining Shower Chair

**EZ351E** - Dignity Electrical Height Adjustable Reclining Shower Chair



\* Electric Model Special Order Only