



EZ Way, Inc.

eZ[®] 4000/4200 Atlas Bariatric Shower Trolleys

The shower trolley that makes showering and transferring easier for attendants.

The EZ 4000/4200 Atlas Bariatric Multi Tasking Shower Trolley is designed for lots of power and loads of space. The trolley is used for shower, transport, and as a changing or treatment trolley. The possibilities are endless.

The resident can be transferred from bed to shower and back again in a safe and secure manner. The height of the base allows mobile sling lift transfers. Rechargeable battery-powered dual actuators raise and lower the stretcher easily and quietly with an easy-to-use hand control. The hand control operates tilts to a "Trendelenburg" position (5°) when desired. An audible tone sounds when the stretcher is level.

The side rails keep the resident safely in place. Side rails swing down for transfer and lock into up position for resident security and a secure transport. The trolley has central foot-operated caster brakes and straight steering. For tall residents, the head end rail can be folded to a horizontal position for extra length. The stretcher has two positions: flat for transfer and tilt for transport, shower and improved drainage. The EZ 4000/4200 is delivered with mattress, high-capacity rechargeable batteries, hand control, drain plug and hose.

INCLUDED ACCESSORIES

- 3 ft. drain hose
- Stopper
- Head pillow
- Mattress
- 6" standard casters

OPTIONAL ACCESSORIES

- Bariatric backrest wedge pillow - 15° or 30°
- Factory-mounted lift kit for EZ Lift transfers (allows a minimum of 5" free space under the front legs, which raises the trolley stretcher 2.25")
- 8 ft. drain hose



Tilting for "Trendelenburg" position (5°) and easy drainage.



EZ 4000 - Head end rail folds to horizontal position for extra length.



Convenient single foot control for straight steering and brakes.

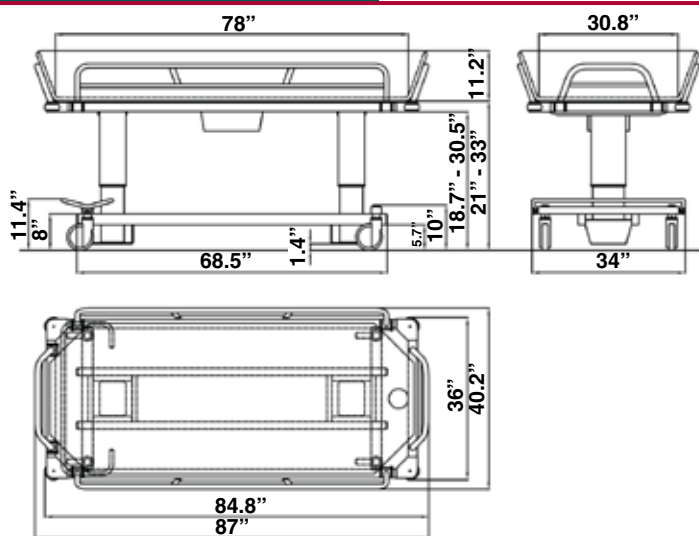


Side rails swing down or lock in horizontal position for transfer and up for safe transport.

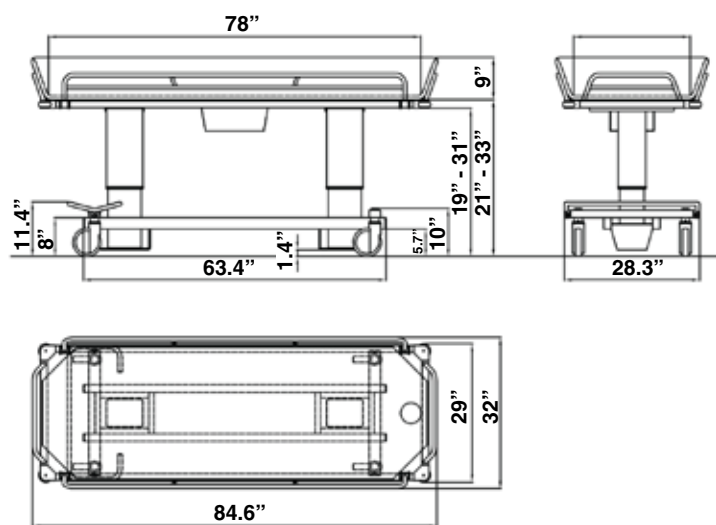


"Your Total Patient Lift Solution"

Introducing the New EZ Bathing Line!



EZ 4000 1000 lb. Capacity
SHOWER TROLLEY



EZ 4200 600 lb. Capacity
ATLAS JUNIOR
SHOWER TROLLEY

FEATURES:

The stretcher is easily and quietly raised by two powerful actuators. The hand control operates the power tilt in both directions and raises and lowers the trolley.

The stretcher can easily be tilted to the "Trendelenburg" position. The adjustable stretcher enables a comfortable working height for the attendant. An audible tone sounds when stretcher is level. When transporting through narrow doorways, the side rails can be folded, reducing the trolley width.

The stretcher has rubber bumper wheels on all four corners to protect walls and doorways. Stretcher comes standard with a soft flame-retardant mattress with drainage at the foot end and includes a drain hose and pillow.

The trolley is made of durable material, powder-coated and zinc-plated steel, making cleaning simple and efficient. The mattress is easily removable.



2810 SHOWER PANEL - works for the 4000/4200 as well as the 2000/3000 Shower Trolleys

SPECIFICATIONS	4000	4200
Length:	87"	85"
Width:	36"	29"
Operating Height Range:	21" - 33"	21" - 33"
Working Load Limit:	1,000 lbs.	600 lbs.
Chassis:	Powder-coated and zinc-plated steel	Powder-coated and zinc-plated steel
Casters:	Brakes on all four casters and straight steering	Brakes on all four casters and straight steering
Control:	Hand control for height adjustment and tilting	Hand control for height adjustment and tilting
Mattress, pillow:	Flame-retardant material	Flame-retardant material
Battery:	Rechargeable, 24 V	Rechargeable, 24 V