



EZ Way, Inc.

EZ Way Model CL650PM

The EZ Way Ceiling Lift is a battery operated portable patient lift that is mounted from tracks that are installed into the ceiling. The lift is used with a sling or walking harness to transfer the patient along the track.

Features

- Portable to move from room to room
- On-board intelligence to monitor lift usage
- 4-Point Spreader Bar for maximum patient comfort
- Backlit LCD screen displays battery and diagnostic messages

Diagnostic Features

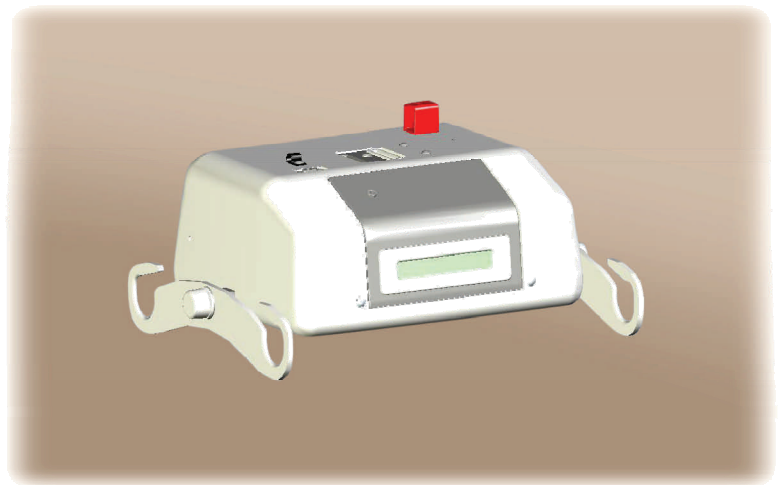
- Usage time captured
- Overload protection
- Optional inspection reminder

Safety Controls

- Emergency Down
- Emergency Stop
- Manual Down
- Strap Tension and Angle Protection
- Over Current Protection
- Low Battery Cut-Off
- Emergency Brake

Construction

- Aluminum Chassis
- All metal drive train
- Dual-pawl emergency brake
- ABS Enclosure



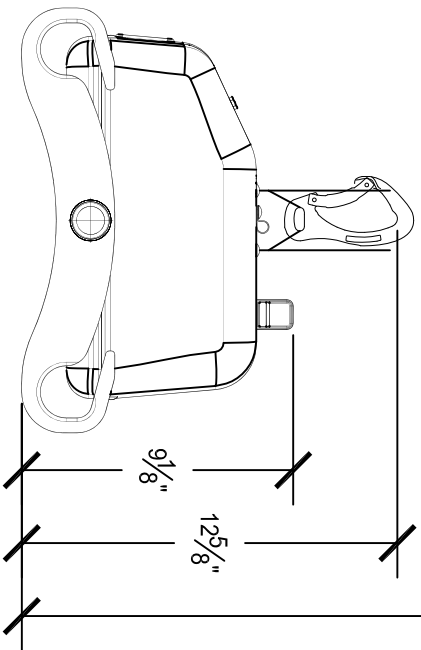
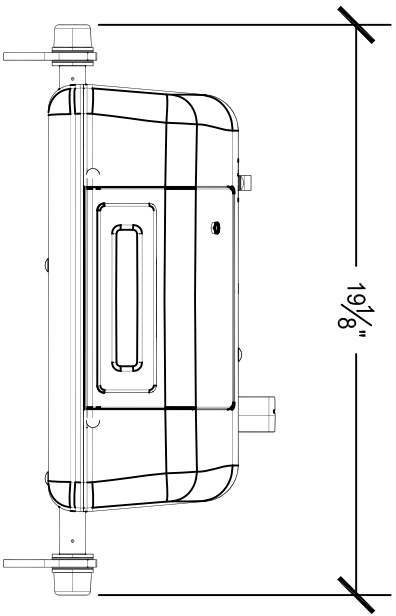
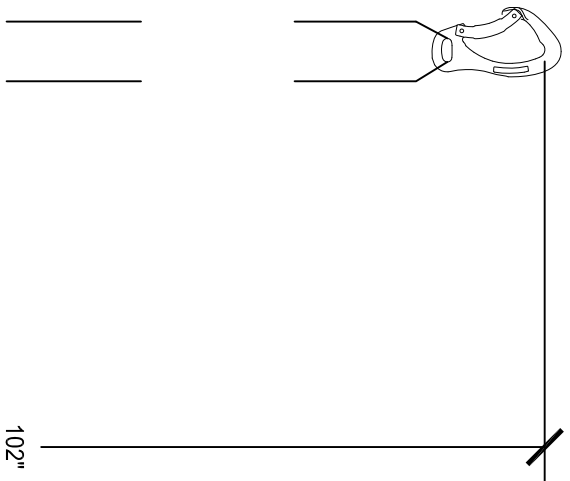
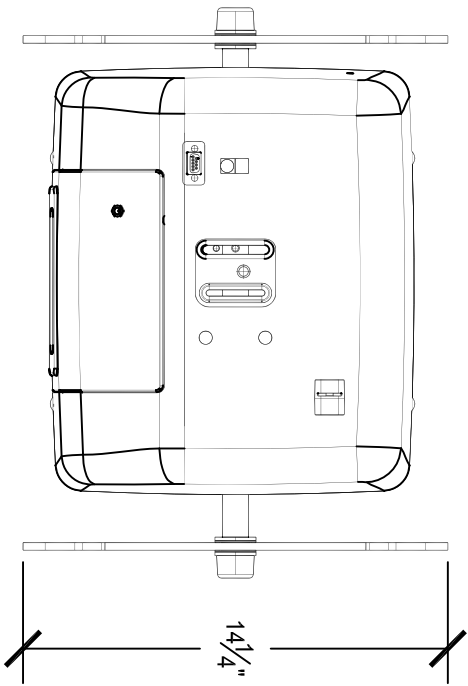
Specifications

Model:	CL650PM
Capacity:	650 lb
Physical Dimensions:	14 1/4" x 19 1/8" x 9 1/8"
Weight:	27 lb
Installation:	Ceiling Mounted, Portable
Charger Input:	120 VAC
	60 Hz
	1 Amp
	Power Cord (NEMA 5)
BTU's:	N/A
Motor Control:	Electronic soft-start and soft-stop
Controls:	Hand-held remote plus on-board controls
Batteries:	2-12 V SLA, 4.5 Ah
Motor Rating:	20 Amp

⚠WARNING: Cancer and Reproductive Harm - www.P65Warnings.ca.gov.

EZ Way, Inc. • (800) 627-8940 • Fax (712) 542-1899 • www.ezlifts.com

Form 2-244
Rev. 8/8/18



Room Number:

CL650 Portable Ceiling Lift Motor



EZ Way, Inc.

Drawn By:
PR

Scale:
NTS

Reference:

Date:

8/4/11